

Technical sheet :

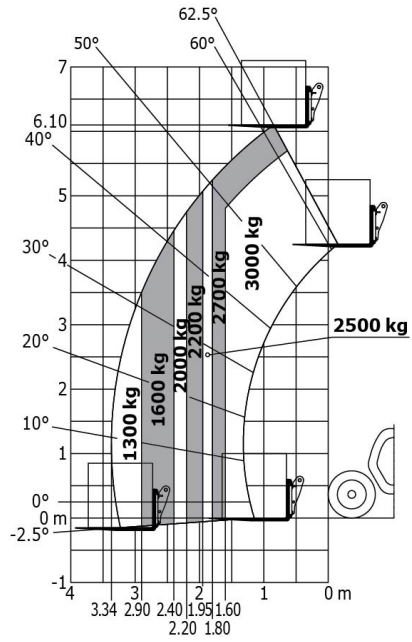
MLT 630-115



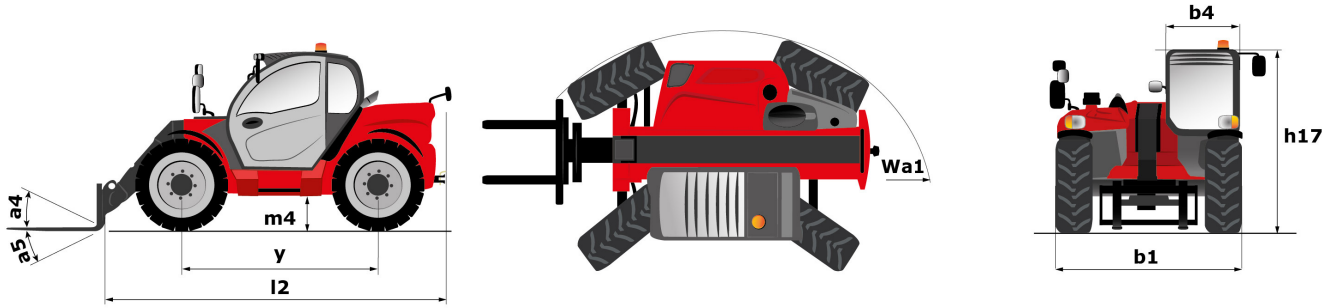
Capacities		Metric
Max. capacity	Q	3000 kg
Max. lifting height	h3	6.1 m
Max. outreach	r1	3.34 m
Reach at max. height		0.9 m
Breakout force with bucket		4517 daN
Weight and dimensions		
Unladen weight (with forks)		7010 kg
Ground clearance	m4	0.35 m
Wheelbase	y	2.69 m
Overall length to carriage (with hitch)	l11	4.78 m
Front overhang		1.25 m
Overall width	b1	2.13 m
Overall cab width	b4	0.95 m
Overall height	h17	2.34 m
Tilt-down angle	a5	133 °
Tilt-up angle	a4	13 °
External turning radius (over tyres)	Wa1	3.68 m
Standard tyres		Alliance - A580 - 405/70 R24 152A8
Drive wheels (front / rear)		2 / 2
Steering wheels (front / rear)		2 / 2
Performances		
Lifting		6.5 s
Lowering		4.8 s
Extension		6 s
Retraction		5.2 s
Crowd		3.3 s
Dump		2.6 s
Engine		
Engine brand		Deutz
Engine norm		Stage V
Engine model		TCD 3.6 L4
Number of cylinders - Capacity of cylinders		4 - 3621 cm³
I.C. Engine power rating / Power (kW)		116 Hp / 85 kW
Max. torque / Engine rotation		460 Nm/m @1600 tr/min
Drawbar pull (Laden)		6300 daN
Reversible fan		Standard
Transmission		
Transmission type		Torque Converter with Powershuttle
Number of gears (forward / reverse)		4 / 4
Max. travel speed (may vary according to applicable regulations)		40 km/h
Differential lock		Limited slip differential on front axle
Parking brake		Manual
Service brake		Oil-immersed multi-discs braking on front & rear axles
Hydraulics		
Hydraulic pump type		Gear pump
Hydraulic flow - Pressure		106 l/min - 250 Bar
Flow sharing distributor		Option
Tank capacities		
Hydraulic oil		94 l
Fuel tank		78 l
Diesel Exhaust fluid (AdBlue® type)		13 l
Noise and vibration		
Noise at driving position (LpA) tested following NF EN 12053 norm		74 dB(A)
Environmental noise (LwA)		105 dB(A)
Vibration to whole hand/arm		<2,50
Miscellaneous		
Tractor homologation / Safety cab homologation		Tractor homologation - Cab ROPS - FOPS Level 2
Controls		JSM

Load chart

Rough terrain load chart (EN 1459 B) Metric



Dimensional drawing





Siège Social

430 rue de l'Aubinière - 44150 Ancenis Cedex - France

Tel: +33(0)2 40 09 10 11 - Fax: +33 (0)2 40 09 10 97

www.manitou.com



This brochure describes versions and configuration options for Manitou products which may be fitted with different equipment. The equipment described in this brochure may be standard, optional or not available depending on version. Manitou reserves the right to change the specifications shown and described at any time and without prior warning. The manufacturer is not liable for the specifications given. For more information, contact your Manitou dealer. Non-contractual document. Product descriptions may differ from actual products. List of specifications is not comprehensive. The logos and visual identity of the company are the property of Manitou and may not be used without authorisation. All rights reserved. The photos and diagrams contained in this brochure are provided for information only.

MANITOU BF SA - Limited company with board of directors - Share capital: 39,668,399 euros - 857 802 508
RCS Nantes